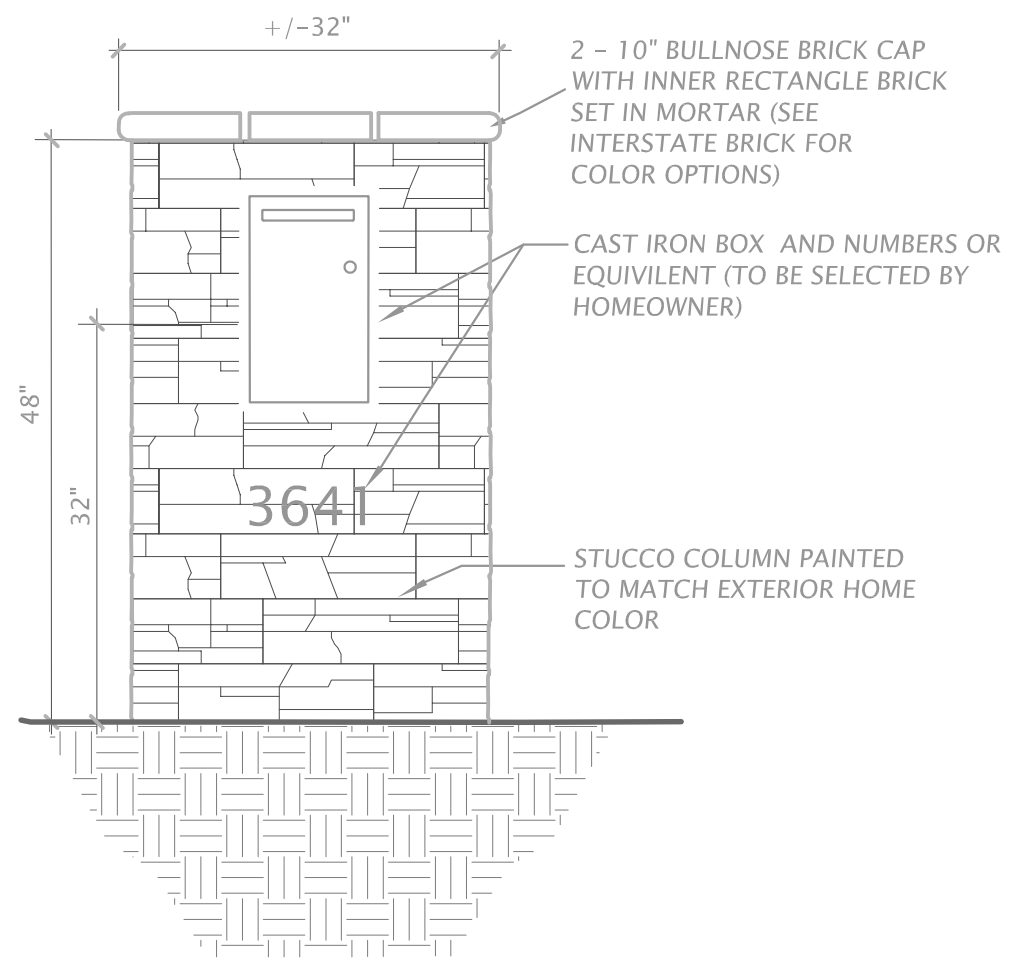


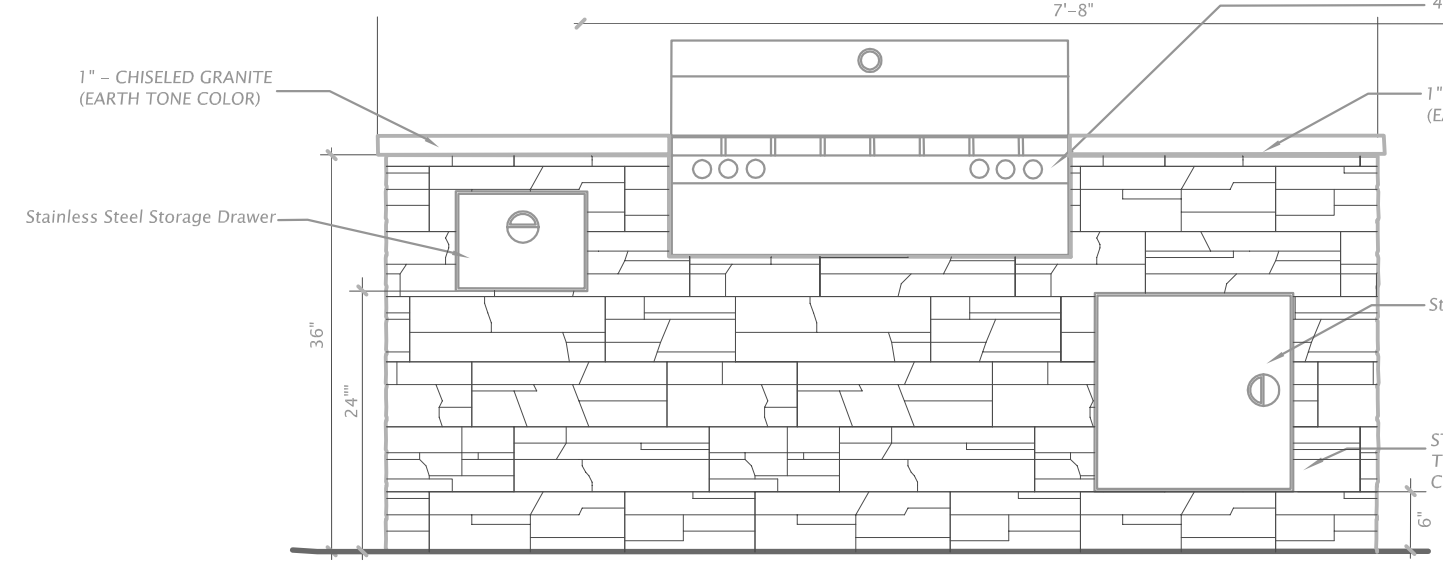
10 FIREPIT SECTION

NO SCALE



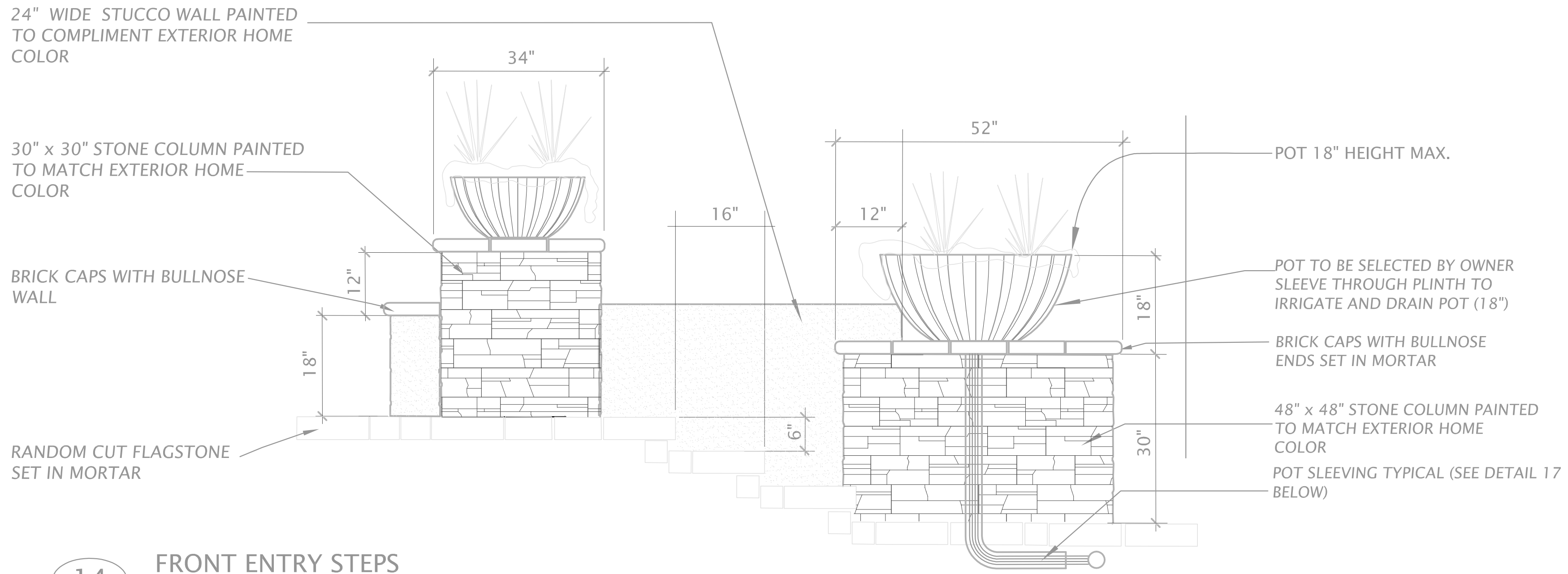
11 MAILBOX

Scale: 3/4" = 1' - 0"



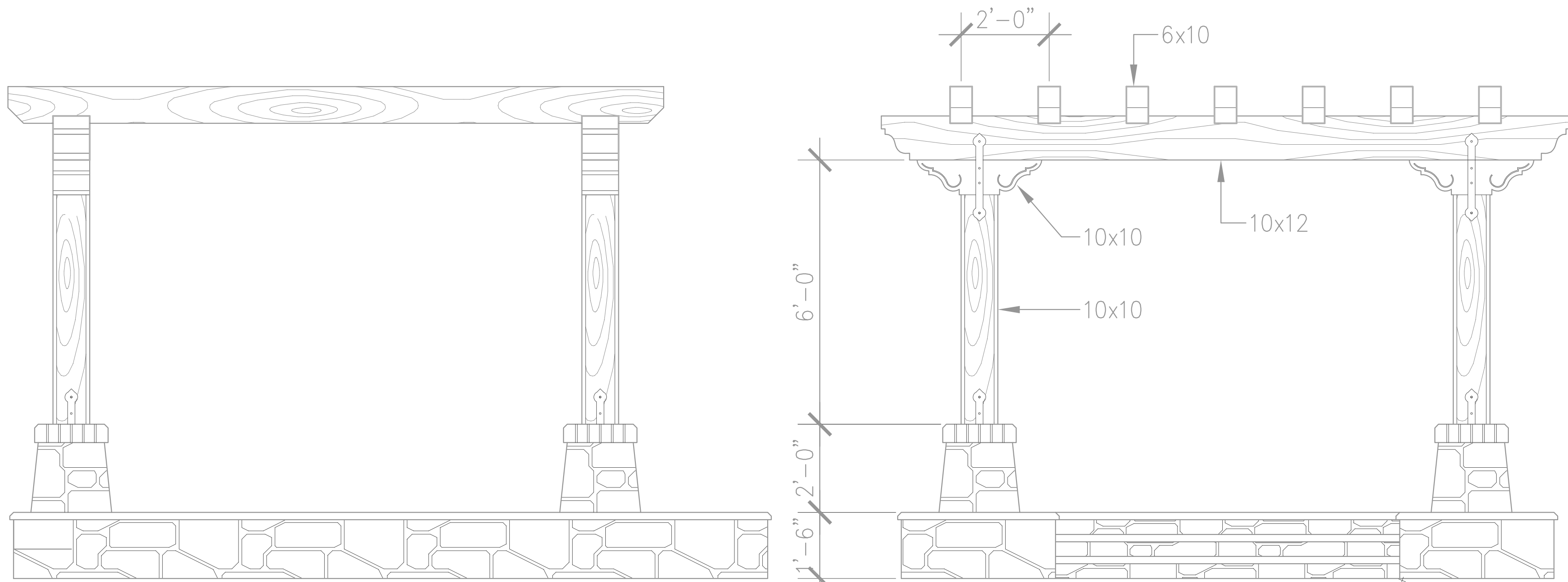
12 BARBEQUE DETAIL

NO SCALE



14 FRONT ENTRY STEPS

Scale: 3/4" = 1' - 0"



15 Spa Ramada (Designed by Candelaria Design)

Scale: 1/2" = 1' - 0"

HENRY #208 WET/DRY CEMENT TO SEAL ENTIRE INSIDE POT AND CON

WRAP TOP OF SLEEVE WITH FILTER FABRIC TO PREVENT CLOGGING PIPE

.220 DRIP SPAGETTI. COVERAGE EVENLY ALONG AND PERIMETER OF A

.580 LATERAL FROM

EXTEND SLEEVE/ DRAIN PLANTER. WRAP END WITH FABRIC.

16 TY

DC RANCH LO HARD